



RT & RTF Dynamic Retractors

The self-cleaning, self-inserting spray device that is truly clean-in-place

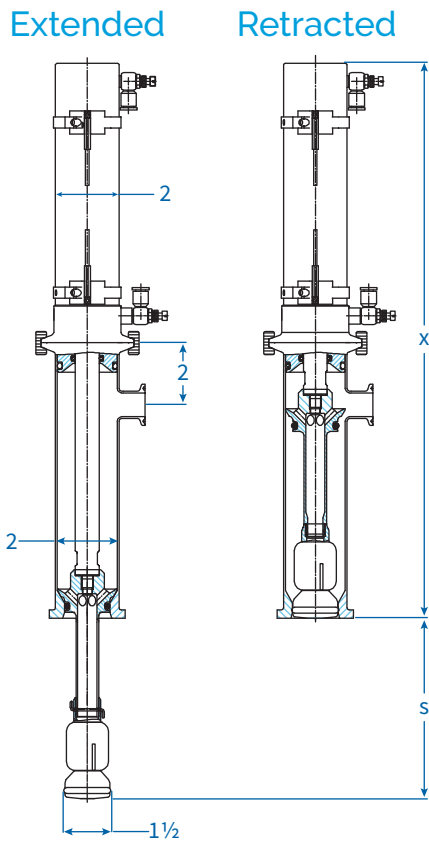
Features

- Automated extension and retraction
- Retracted position provides a smooth tank surface
- Hygienic, self-cleaning construction
- Variable flow rate reduces the risk of flooding
- Unique design reduces installation and cavity size of the retracted head
- RT models can be mounted in any orientation
- RTF model complies with 3A Sanitary Standards

Applications

- Mixing tanks
- Process lines or ducts
- Instances where the spray device needs to be removed during production

TrueClean® RT & RTF



TrueClean® RT

Stroke (s)	4, 6, 10, or 20 in
Material	316L
Connection	Clamp, weld
Bearing	Double ball bearing*
Spray pattern	270° up
Cleaning radius	2.5 – 5 ft
Pressure	15 – 44 psi
Flow rate	9 – 29 gpm
	*Hastelloy® C-22® available upon request

Length (x) = stroke (s) + stroke (s) + 6

*All dimensions are shown in inches.

TrueClean® RTF (3A)

Stroke (s)	4, 6, 10, or 20 in
Material	316L, PEEK
Connection	Clamp, weld
Bearing	Slide bearing
Spray pattern	270° up
Cleaning radius	1 – 3 ft
Pressure	15 – 44 psi
Flow rate	14 – 24 gpm

