



JM Series

The reliable, sanitary powerhouse in jet cleaning

Features

- High-impact, multi-axis 360° jet spray
- Highly configurable to adjust the spray volume
- Slide bearings for horizontal or vertical mounting
- Fully drainable in vertical or horizontal position
- Ultra-hygienic design for self-cleaning
- Designed to pair perfectly with the FDA-compliant TCG-ZR flow sensor

Applications

Where high mechanical impingement force is necessary to effectively clean
When water consumption is a concern

TrueClean® JM100
13 ft. cleaning radius

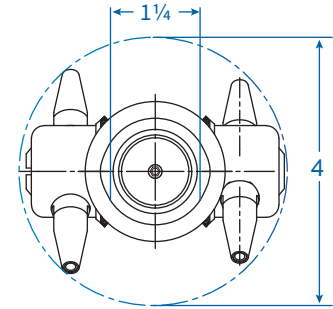
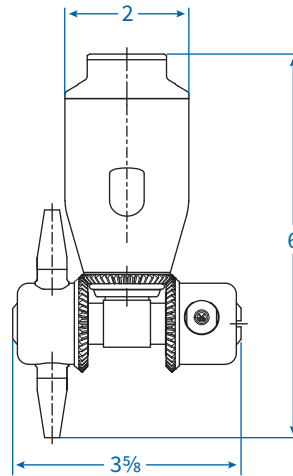
TrueClean® JM500
16.5 ft. cleaning radius

TrueClean® JM800
23 ft. cleaning radius

TrueClean® JM Series

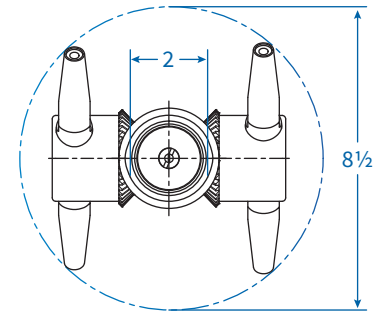
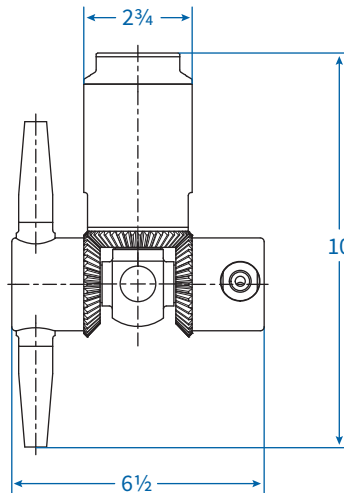
TrueClean® JM100

| | |
|------------------------|-----------------|
| Material | 316L |
| Connection | 3/4" NPT, weld |
| Spray pattern | Multi-axis 360° |
| Cleaning radius | 1.5 – 13 ft |
| Pressure | 44 – 290 psi |
| Flow Rate | 10 – 29 gpm |



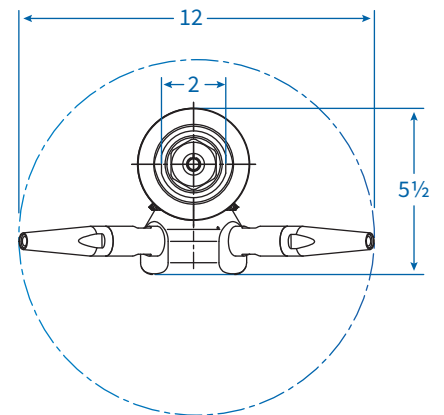
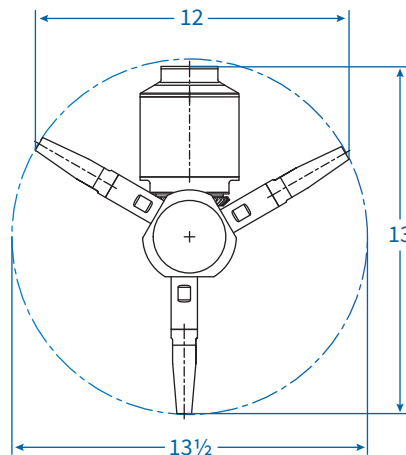
TrueClean® JM500

| | |
|------------------------|------------------|
| Material | 316L |
| Connection | 1-1/2" NPT, weld |
| Spray pattern | Multi-axis 360° |
| Cleaning radius | 3.5 – 16.5 ft |
| Pressure | 51 – 189 psi |
| Flow Rate | 36 – 129 gpm |



TrueClean® JM800

| | |
|------------------------|------------------|
| Material | 316L |
| Connection | 1-1/2" NPT, weld |
| Spray pattern | Multi-axis 360° |
| Cleaning radius | 3.5 – 23 ft |
| Pressure | 73 – 189 psi |
| Flow Rate | 63 – 122 gpm |



*All dimensions are shown in inches.