

## S30

Effective, economical cleaning for any size tank

### Features

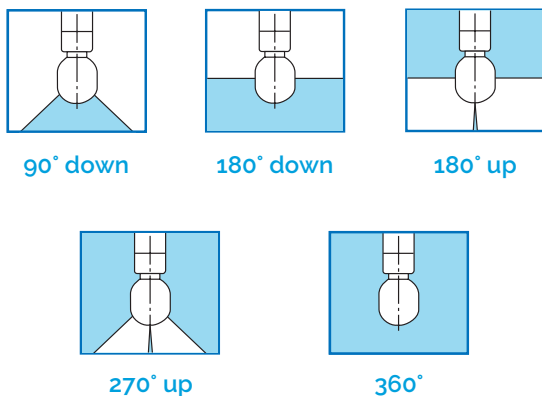
- High-impact spray for strong cleaning
- Hygienic, self-cleaning construction
- Dual bearings allow for mounting at any angle
- Multiple spray patterns for targeted cleaning
- Increased mechanical action reduces CIP time and costs

### Applications

- Static spray ball replacement
- Heavily soiled tank surfaces
- Higher pressures, lower flow



### Spray Coverage



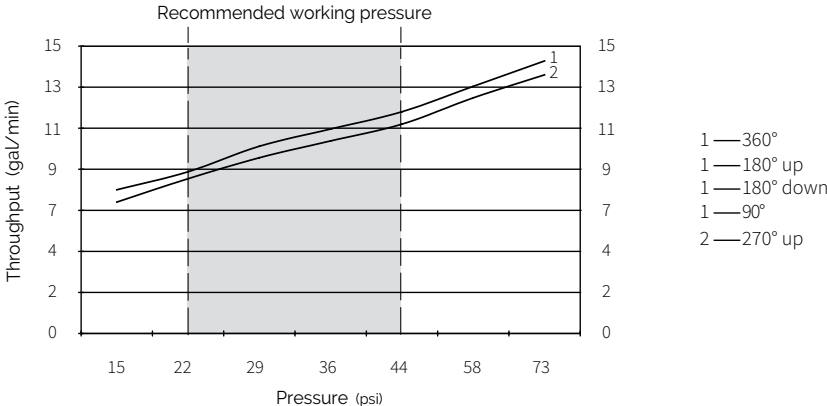
### Specifications

<b>Material</b>	316L
<b>Connection</b>	Pin, Thread, Weld
<b>Spray pattern</b>	90°, 180°, 270°, 360°
<b>Recommended max. radius for cleaning</b>	3.3 ft
<b>Pressure</b>	22 – 44 psi
<b>Flow Rate</b>	8 – 12 gpm
<b>Bearing</b>	Double ball bearing*
<b>Mounting positions</b>	360°
<b>Max. working temp.</b>	446 °F (230 °C)

\*Hastelloy<sup>®</sup> C-22<sup>®</sup> available upon request

# TrueClean<sup>®</sup> S30

## Consumption



Measuring Temperature: approx. 77 - 86 °F. Measuring Medium: Water  
 These curves correspond to the S30 with thread connection

## Dimensions

Connection	Type	D1	D2	H	Weight (oz)
Pin	Series C (ASME)	0.76	1 1/8	2 3/8	3
Weld	Series C (ASME)	3/4	1 1/8	3 1/4	4.5
Thread	NPT	1/4	1 1/8	2 3/8	3
Thread	NPT	3/8	1 1/8	2 3/8	3.5

All dimensions are shown in inches.

