

RT Dynamic Retractor

The self-cleaning, self-inserting spray device that is truly clean-in-place

Features

- Automated extension and retraction
- Retracted position provides a smooth tank surface
- Hygienic, self-cleaning construction
- Variable flow rate reduces the risk of flooding
- Unique design reduces installation and cavity size of the retracted head
- Can be mounted in any orientation

Applications

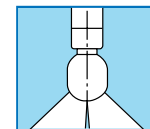
- Mixing tanks
- Process lines or ducts
- Instances where the spray device needs to be removed during production



Specifications

Material	316L
Spray pattern	270°
Recommended max. radius for cleaning	5 ft
Max. working temp.	284 °F (140 °C)

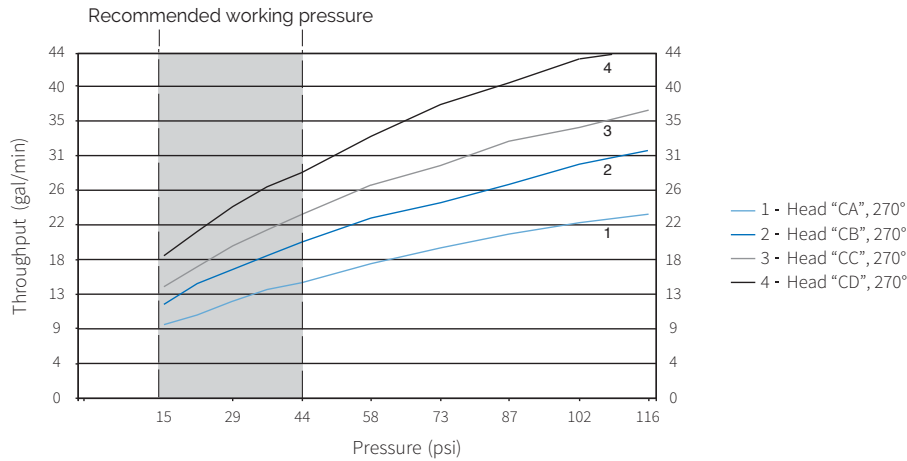
Spray Coverage



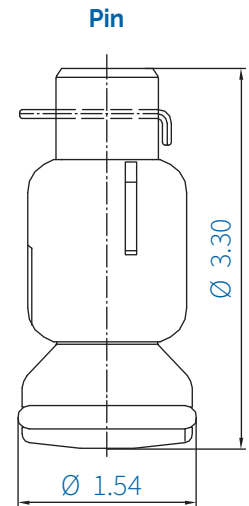
270°

TrueClean[®] RT Retractor

Consumption



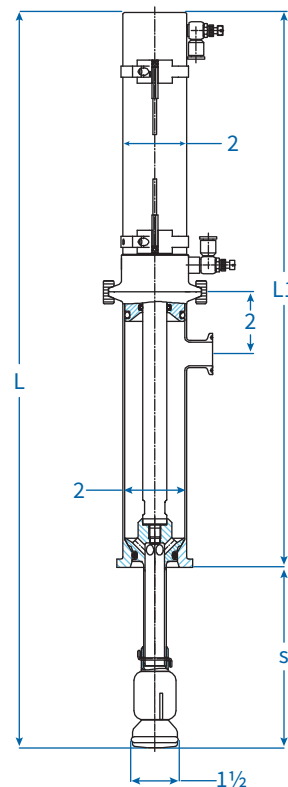
Spray Head Connection



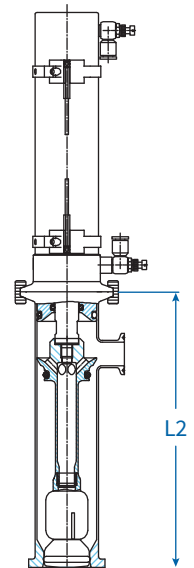
Dimensions

Stroke Length (s)	L	L1	L2
4	18	14	7
6	24	18	9
10	36	26	13
20	65½	45¾	22¾

Extended



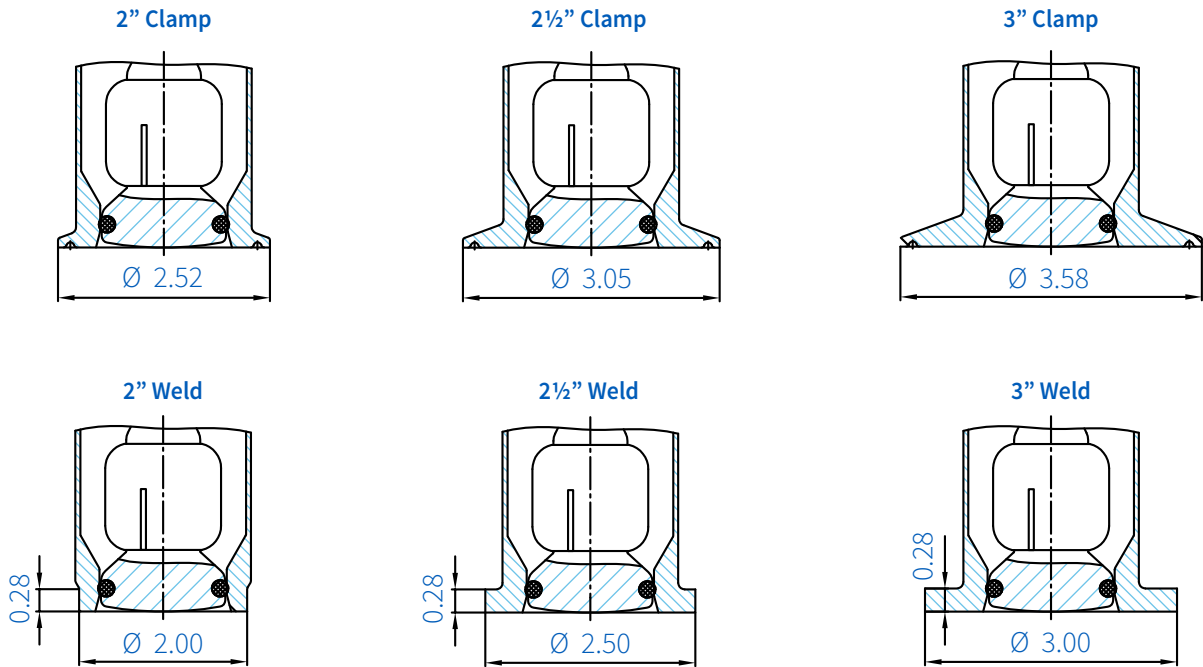
Retracted



All dimensions are shown in inches.

TrueClean® RT Retractor

Connections



Installation Advice Regarding Self-Dumping

