

## JM800

The reliable, sanitary powerhouse  
in jet cleaning

### Features

- High-impact, multi-axis 360° jet spray
- Highly configurable to adjust the spray volume
- Ultra-hygienic design for self-cleaning
- Designed to pair perfectly with the FDA-compliant TCG-ZR flow sensor

### Applications

Where high mechanical impingement force is  
necessary to effectively clean

When water consumption is a concern



### Spray Coverage

Multi-axis 360°



First Pass



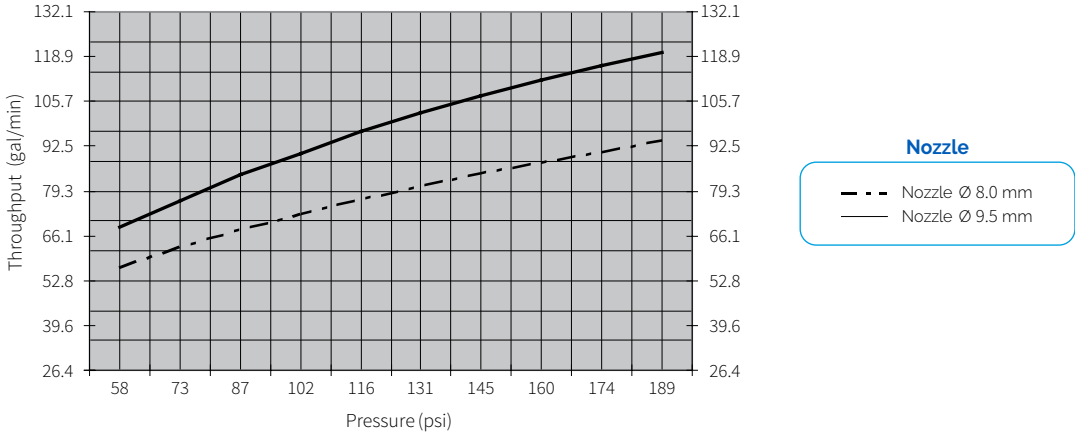
Full Cycle

### Specifications

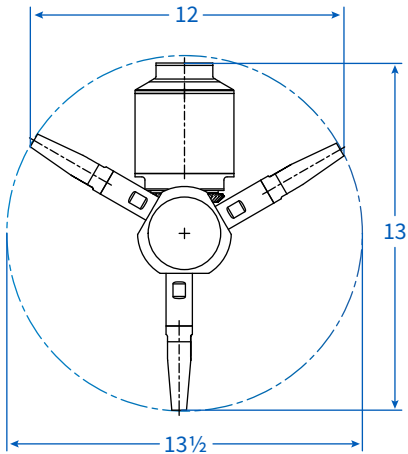
Material	316L
Connection	1½" NPT
Spray pattern	Multi-axis 360°
Recommended max. radius for cleaning	Typical to 11.5 ft Max. 23 ft
Pressure	73 – 189 psi
Flow Rate	63 – 122 gpm
Rotations per minute	5 - 20
Mounting position	Vertical
Max. working temp.	250 °F (121 °C)
Weight	18 lb 6 oz

# TrueClean® JM800

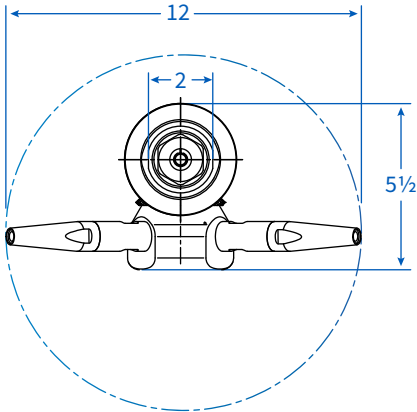
## Consumption



## Dimensions



## Installation Dimensions



All dimensions are shown in inches.