

JM100

The reliable, sanitary powerhouse in jet cleaning

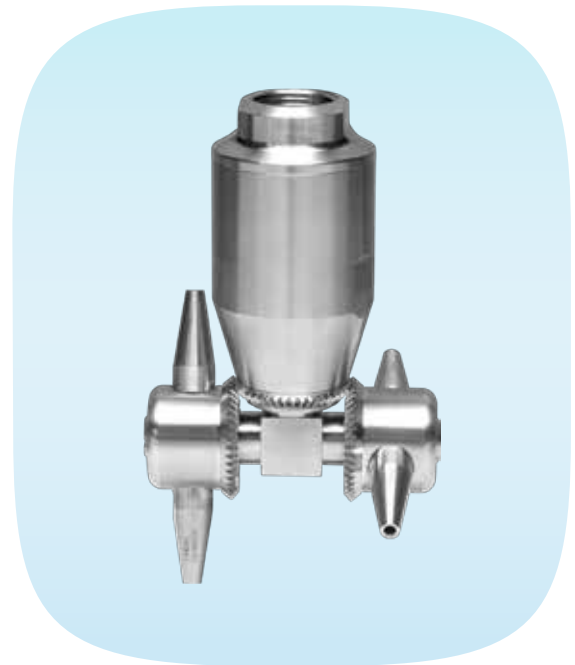
Features

- High-impact, multi-axis 360° jet spray
- Highly configurable to adjust the spray volume
- Slide bearings for horizontal or vertical mounting
- Fully drainable in vertical or horizontal position
- Ultra-hygienic design for self-cleaning
- Designed to pair perfectly with the FDA-compliant TCG-ZR flow sensor

Applications

Where high mechanical impingement force is necessary to effectively clean

When water consumption is a concern



Spray Coverage

Multi-axis 360°



First Pass



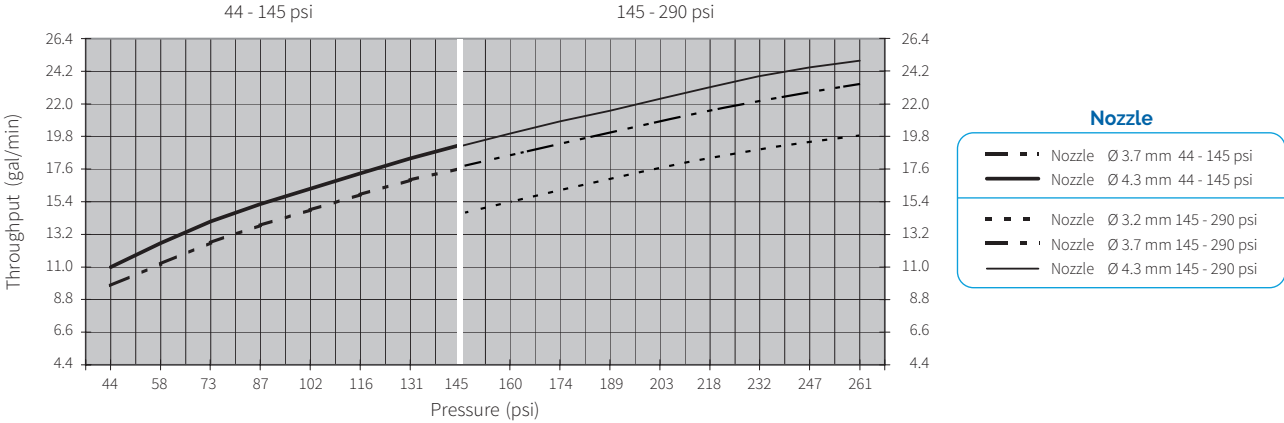
Full Cycle

Specifications

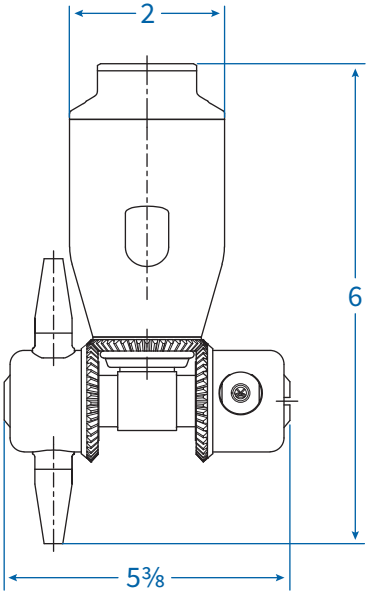
Material	316L
Connection	3/4" NPT
Spray pattern	Multi-axis 360°
Recommended max. radius for cleaning	Typical to 6.5 ft Max. 13 ft
Pressure	44 – 290 psi
Flow Rate	9 – 29 gpm
Revolutions per minute	5 - 20
Mounting positions	360°
Max. working temp.	250 °F (121 °C)
Weight	3 lb 13 oz

TrueClean® JM100

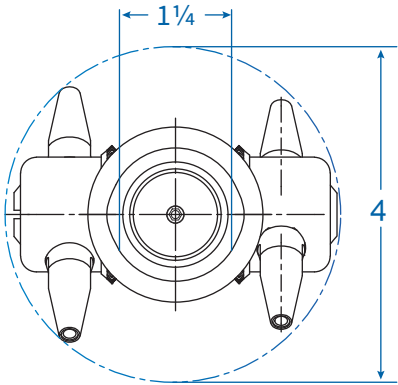
Consumption



Dimensions



Installation Dimensions



All dimensions are shown in inches.