

## CP2

Delivering powerful jets through a slow, constant rotation

### Features

Low cost, high impact cleaning

360° jet coverage to focus in the areas with the heaviest soiling

Solid ball design creates high-performing, controlled jet spray

Internal rotor design for a constant, smoother rotation

Rotates gradually to increase wash liquid dwell time



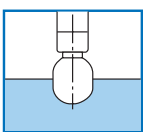
### Applications

High-impact, targeted cleaning

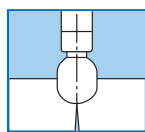
Vessels with only a 2.5" tube opening

Mixing, holding, and fermentation vessels as well as cooking kettles

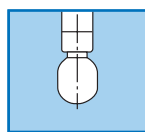
### Spray Coverage



180° Down



180° Up



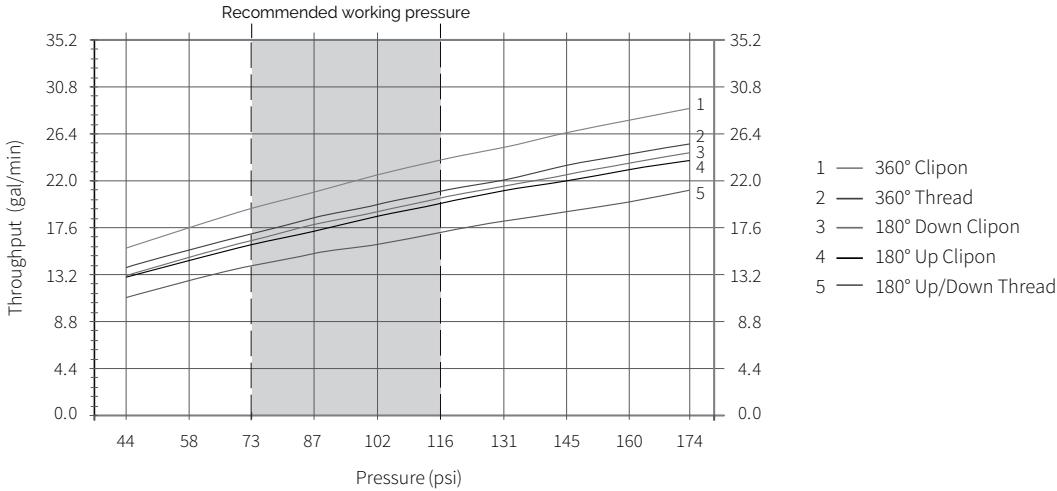
360°

### Specifications

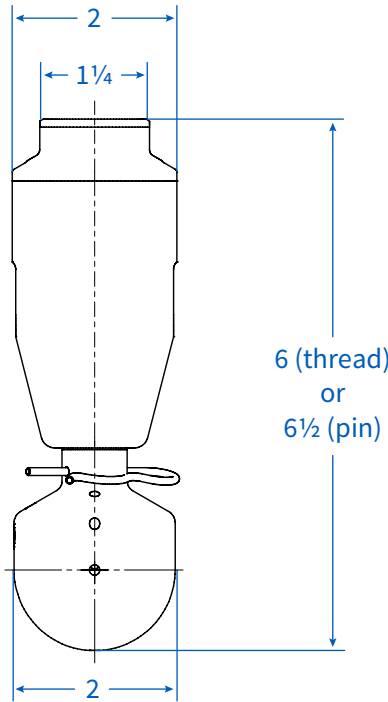
|   |                 |
|---|-----------------|
| <b>Material</b>                             | 316L            |
| <b>Connection</b>                           | Pin, Thread     |
| <b>Spray pattern</b>                        | 180°, 360°      |
| <b>Recommended max. radius for cleaning</b> | 6.5 ft          |
| <b>Pressure</b>                             | 44 – 174 psi    |
| <b>Flow Rate</b>                            | 11 – 29 gpm     |
| <b>Rotations per minute</b>                 | 2 - 30          |
| <b>Mounting positions</b>                   | 360°            |
| <b>Max. working temp.</b>                   | 250 °F (121 °C) |

# TrueClean® CP2

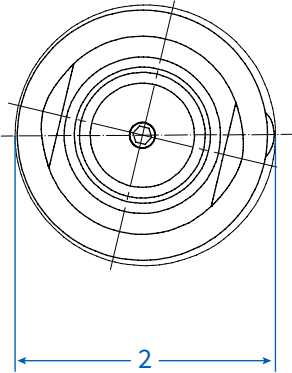
## Consumption



## Dimensions



## Installation Dimensions



All dimensions are shown in inches.